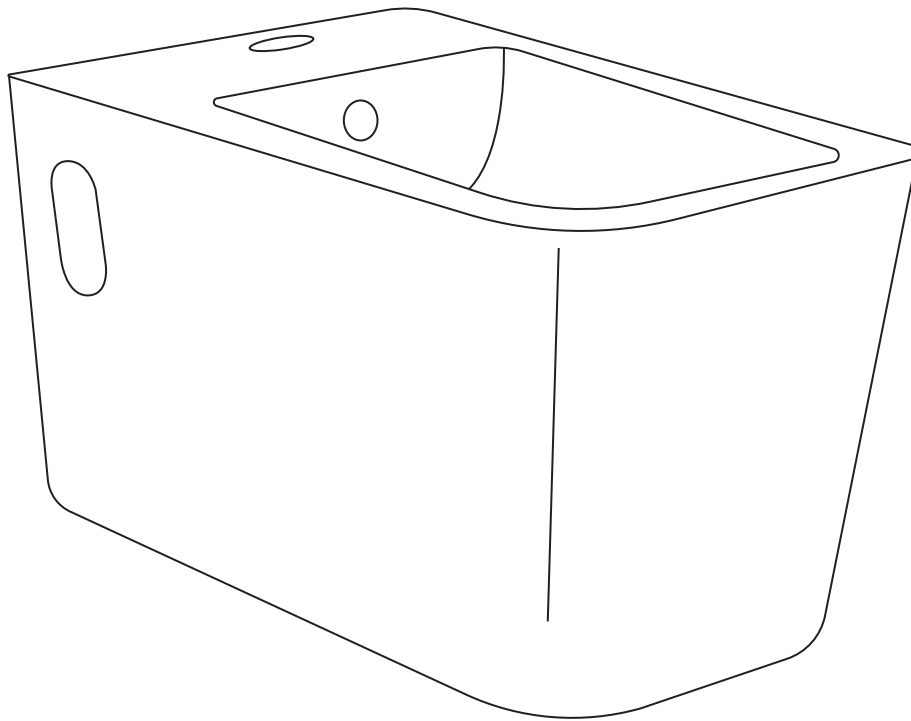


INSTALLATION INSTRUCTIONS

Swiss Madison
well made forever

Concorde Wall Hung Bidet



Share your pictures for a feature!
using **#SwissMadison**





Prior to Installation:

- Inspect bidet to ensure no damages have occurred while in shipping.
- Observe all plumbing and building codes in accordance with your state and local requirements.
- Have your in-wall carrier system installed.

General Recommendations: Read installation and maintenance instructions thoroughly before installing the bidet. Be sure to use proper tools and always wear proper personal safety accessories for your protection.

If you have any questions or concerns please contact us:

1-434-623-4766
info@swissmadison.com

Thank you for your purchase

Thank you for purchasing a Swiss Madison Wall Hung Bidet.

We appreciate your business and know you will enjoy your toilet for many years to come.

If you have any questions or require assistance we would be happy to help,
please contact us at 1-434-6234766 or info@swissmadison.com.

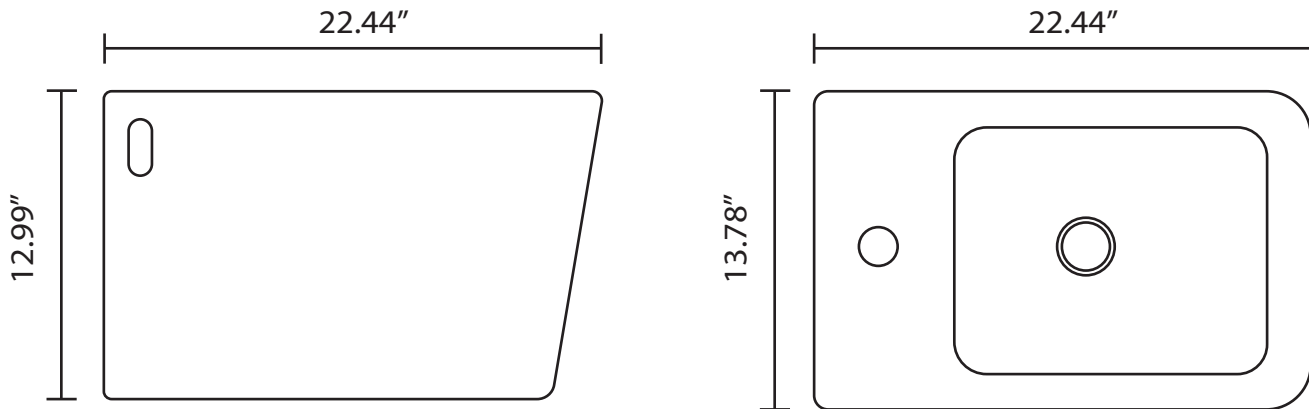
To learn more about our products, please visit:

www.swissmadison.com

Sincerely,

The Swiss Madison Team

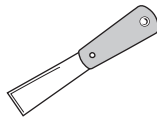
NOTE: Distance from wall to closest flange centerline must be listed as below.



SUGGESTED TOOLS AND MATERIALS



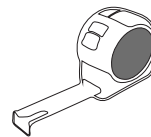
Safety Glasses



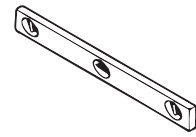
Putty Knife



Wrench



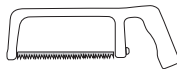
Tape Measure



Level



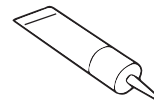
Flexible Supply Tube



Hacksaw



Screwdriver



Sealant

PARTS LIST

- Swiss Wall Hung Bidet
- Bolts
- Side Cover Caps

REQUIRED COMPONENTS (NOT INCLUDED)

- In-wall Carrier System (*SM-WC124*)
- Faucet

NOTE: Specialized tools may be necessary to install Swiss Madison Wall Hung Bidet, plumbing not included.

NOTE: The In-Wall Carrier System is REQUIRED for installation of the wall hung bidet, it can be purchased separately from Swiss Madison.

The step-by-step guidelines in the installation instructions are a general reference for installing a Swiss Madison Wall Hung Bidet.
Should there be any discrepancies, Swiss Madison cannot be held liable.
It is recommended to install all Swiss Madison products by hiring a licensed professional



1. Read the complete instruction manual before beginning installation.



2. Confirm that your model will fit in intended location and plumbing fixtures are located where legally required before beginning installation.



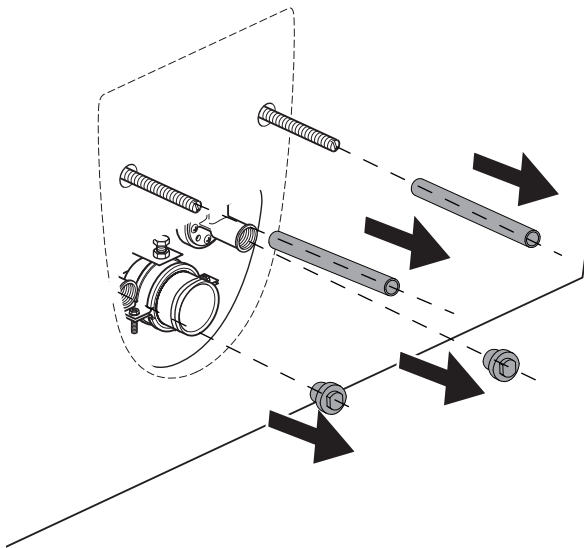
3. Not all drawings on this manual are drawn to scale. Please refer to the model chart.

4. Two people are recommended to install and move this product.

5. Product is FRAGILE! To avoid breakage and possible injury handle with care.

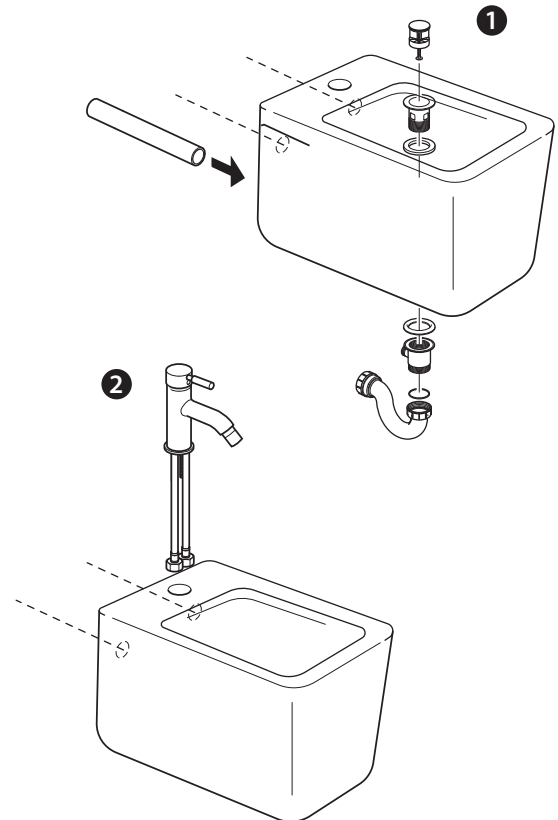
1. Prepare for Installation

- Be sure your in-wall carrier system has been installed.
- Turn-off water supply and if necessary remove old bidet.
- Install or relocate the supply tubing and waste pipe.



2. Install Plumbing

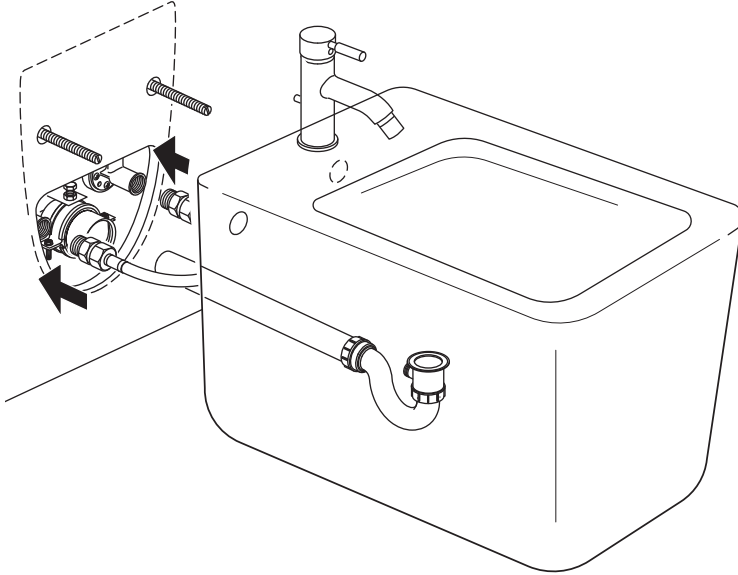
- Install plumbing and fixtures onto bidet.



NOTE: Drawings may not exactly define contour of china.

3. Mount Bidet

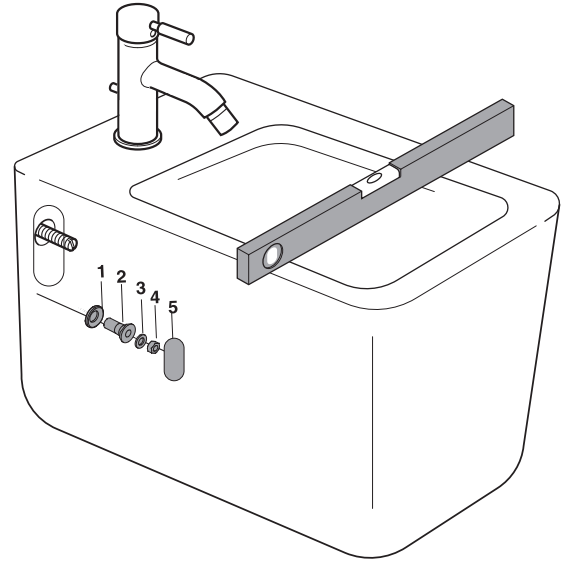
- Connect plumbing and mount bidet to the wall.



3. Secure Bidet

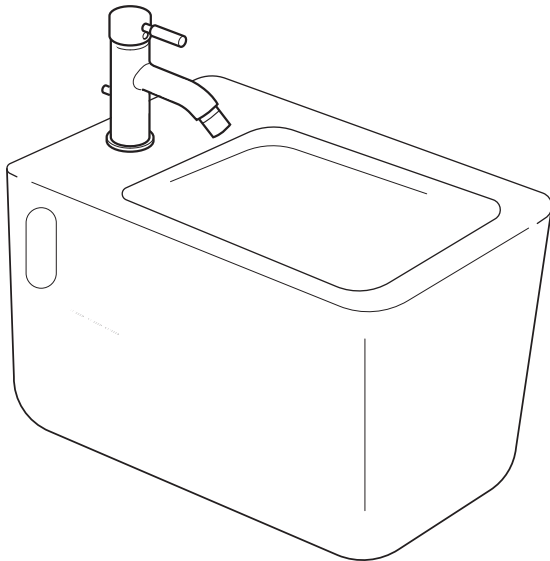
- Attach bowl via washer and bolts.
- Cover opening with included caps.

NOTE: Do NOT over-tighten as it might lead to cracks!



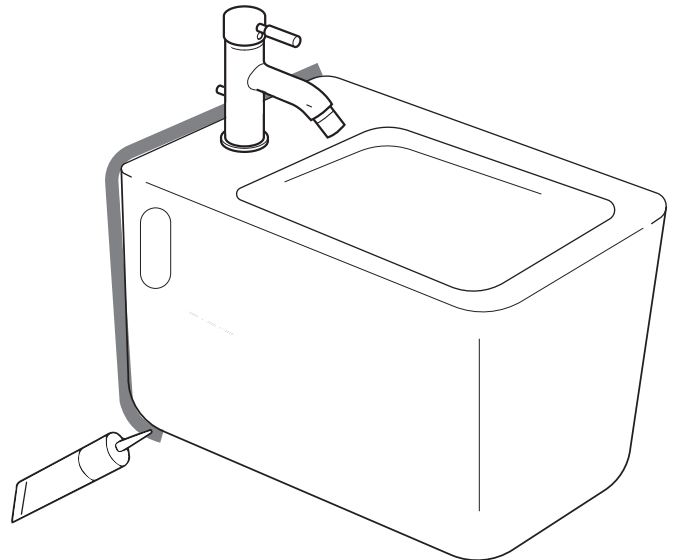
4. Check for Leaks

- Turn on water supply and test bidet for leaks.



5. Apply Sealant

- Apply a bead of sealant between the bidet and the wall.



NOTE: Drawings may not exactly define contour of china.



1-434-MADISON

(623-4766)

19 Stults Rd., Dayton, NJ 08810

www.swissmadison.com

ONE YEAR LIMITED WARRANTY

Swiss Madison® products are made with quality materials and excellent craftsmanship to provide the customers a long lasting product. In the case of any defects in materials or craftsmanship under regular use were inspected in the first year of purchase, Swiss Madison® will provide replacement parts at no charge, or at its option, replace any product or part of the product that is deemed defective, under normal installation, use, service and maintenance. This warranty applies only to the original purchaser. Proof of purchase will be required in the case of a claim.

Swiss Madison® recommends the installations to be made by a licensed, professional plumber. Swiss Madison® will not be held responsible for any damage or product failure due to improper installation, misuse, or failure to use a licensed professional. Swiss Madison® is not responsible for any removal or installation cost.

This One Year Limited Warranty will be voided if:

- The installation recommendations were not followed.
- The product has been moved from it's initial place of installation.
- The product has been modified.
- The product has been subjected to improper maintenance, abuse, misuse, excessive use of chemicals, accident or other damages.

Swiss Madison® makes no implication that products comply with any or all local building or plumbing codes. It is the consumer's responsibility to determine local code compliance. This warranty extends to the original purchaser and first consumer.

Swiss Madison® is not liable for any incidental, consequential or special damages associated with the return, replacement, installation or use of your product. This includes freight costs, labor, travel time, lost profit, home damages and other contingent liabilities and costs (including, without limitation, costs associated with experts, investigations, analyses, attorneys and other professionals and services).

The Swiss Madison® warranty is a comprehensive and explicit limit of liability, and all items outside of it are not addressable by or the responsibility of Swiss Madison®. Certain states have variances regarding implied warranties and in those situations we remain fully compliant.

In the case of any questions or a claim contact us directly at 1-434-MADISON (623-4766).

WARNING: Content may contain sharp and other possibly harmful pieces and may cause hazard to children and adults, Swiss Madison® is not responsible in any way for personal damage.